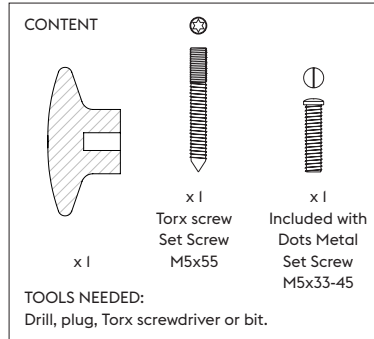
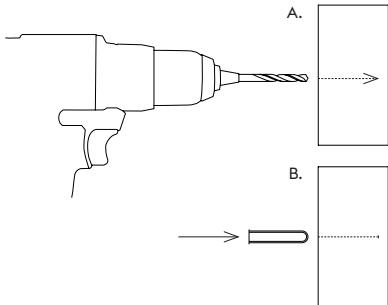


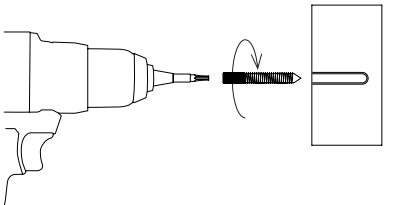
ASSEMBLY INSTRUCTION



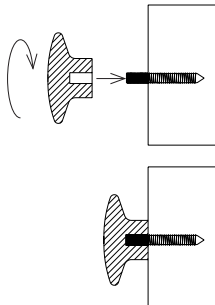
1. Drill a hole and add a plug. See Wall Mounting Guide for the correct plug for your wall.



2. Use a Torx screwdriver and add the screw to the plug.



3. Screw on your Dot (be careful not to tighten too hard to avoid damage inside.)



MUUTO ØSTERGADE 36-38
DK-1100 COPENHAGEN K DENMARK

FOR MORE INFORMATION
VISIT MUUTO.COM

DOTS

— Lars Tornøe

MUUTO

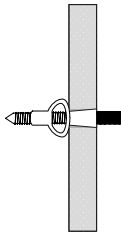
WALL MOUNTING GUIDE

When mounting your Muuto product to a wall, it is important that it is mounted both securely and correctly. The best way to mount your product depends on the type of wall it is being attached to. If a wall plug is required, it is vital that you find one that fits both the screw and the wall material.

If in doubt, ask for advice in your local hardware store. They will be able to assist you in finding the right plug.

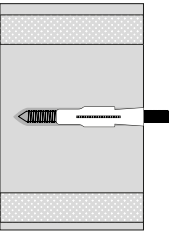
1. Drywall

Drywall is made from a porous material. When mounting, it is vital that you use a wall plug suitable for drywall.



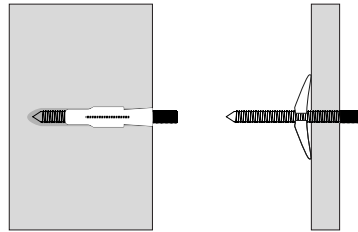
2. Brick Wall

It is essential to use a wall plug when mounting onto a brick wall. Make sure that you drill holes in the bricks and not in the sealer surrounding the bricks.



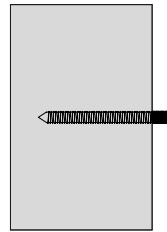
3. Concrete

When mounting to concrete walls, a wall plug is needed. Please be aware that concrete walls, especially in newer buildings can be thin, meaning a special plug is required.



4. Wood

When mounting your product to a wooden surface, drill a 4,5 mm hole to prepare for the Dots screw.



METAL DOTS

Metal Dots can also be used for cabinets:

1. Drill a 5 mm hole and add the screw included with Metal Dots.
2. Screw on your Dot (be careful not to tighten too hard to avoid damage inside.)

