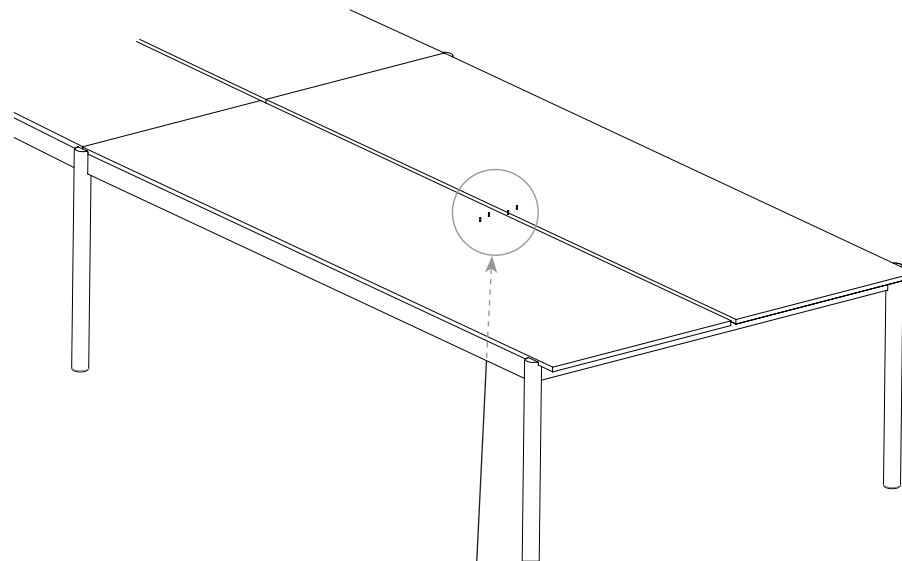


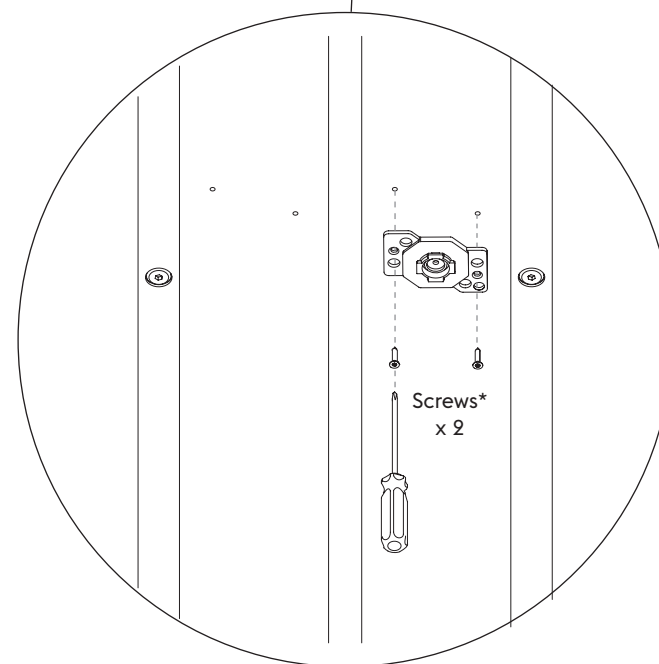
LINEAR TABLE POWER

— Thomas Bentzen

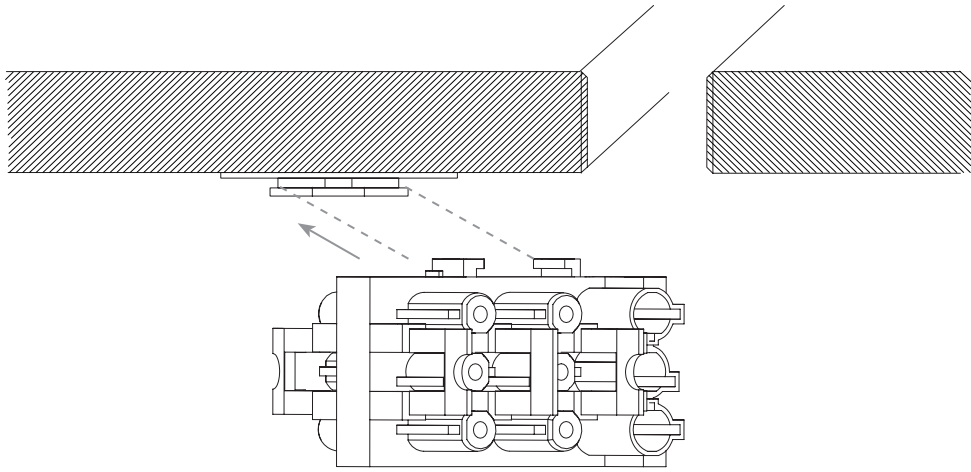
- 1 Underneath the table, locate holes in the center of the table top and mount the fixing plate with two screws.



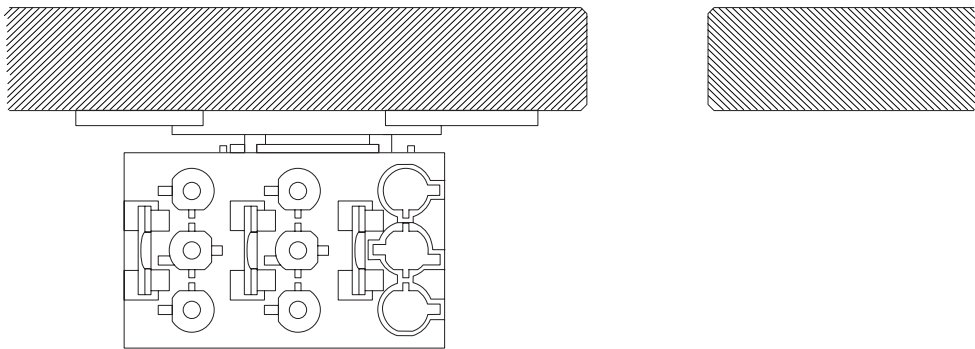
* Please note that the two screws needed to mount the distribution block under the Linear System Table are not included in this box.



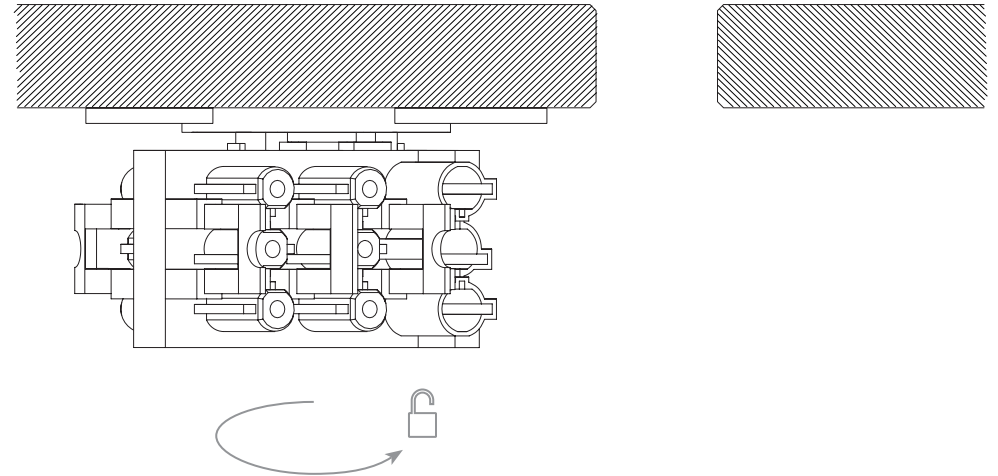
- 2 Slide distribution block into the splitter plate to mount it to the table.

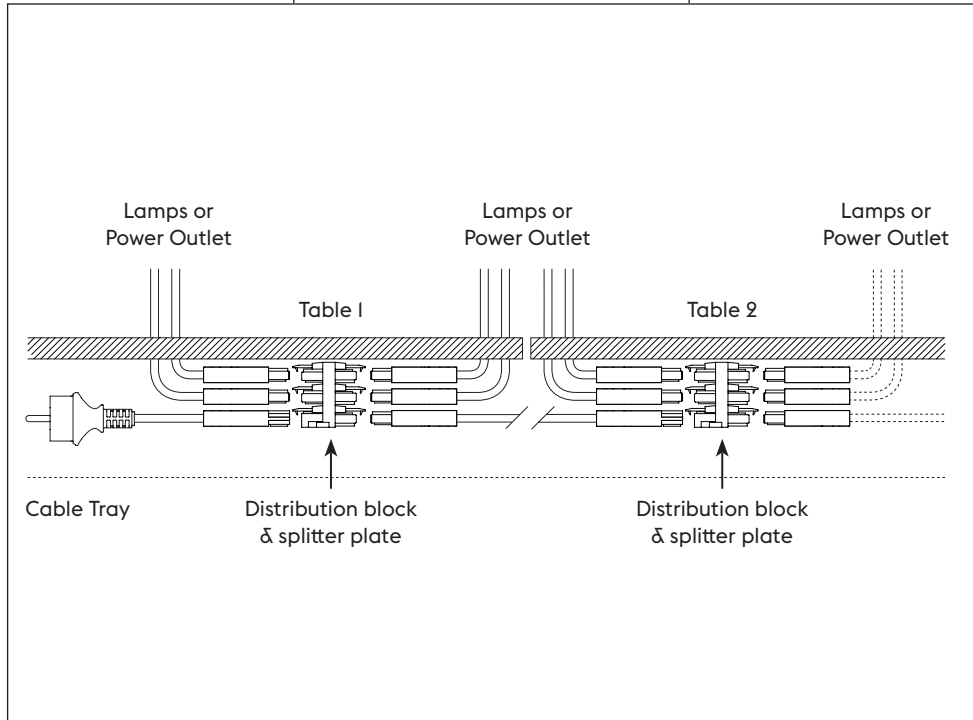
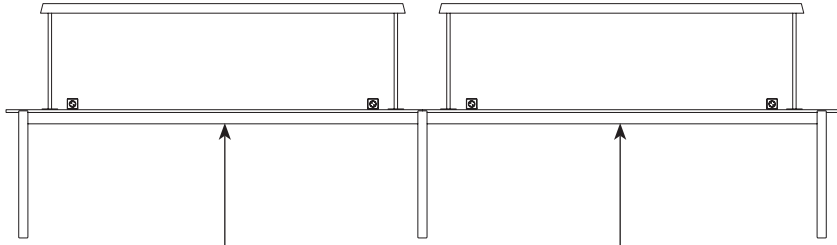


- 3 Final state

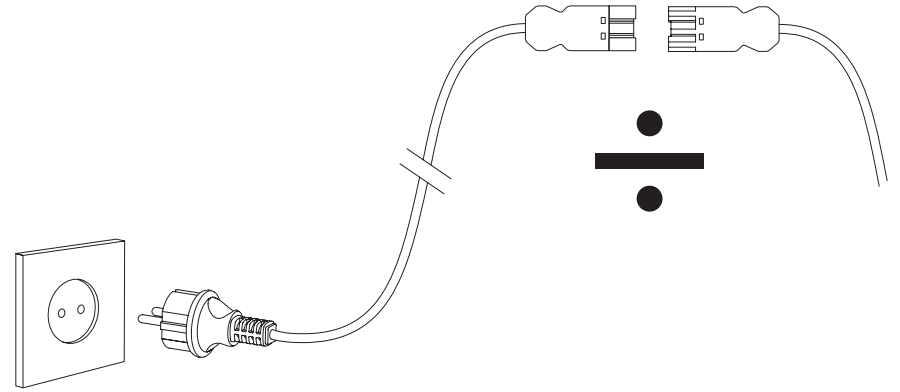


- 3 To remove distribution block, twist to unlock from the fixing plate.





DO NOT connect a plug with another plug.
Always connect plug to the distribution block.



CLEANING — RENGØRING — REINIGUNG — NETTOYAGE — LIMPIEZA

- EN Turn off electricity, clean with dry cloth.
- DK Afbryd elektricitet, rengør med tør klud.
- DE Strom abschalten, mit einem trocknenen Tuch reinigen.
- FR Eteindre l'électricité, nettoyer avec un chiffon humide.
- ES Apague la electricidad, limpie con un paño seco.